

ART 2650

Introduction to Design Process and Programming

Fall 2020 MW: 10:00 – 11:20

Online

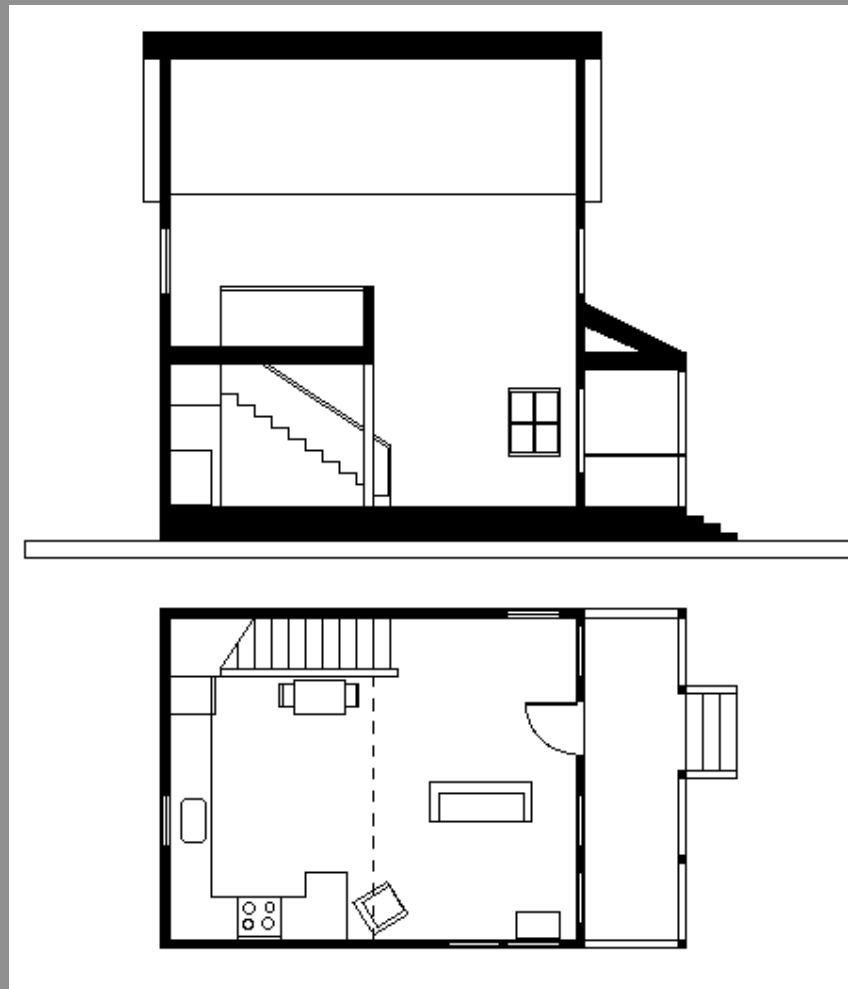
Professor: **Matthew Ziff**

Details:

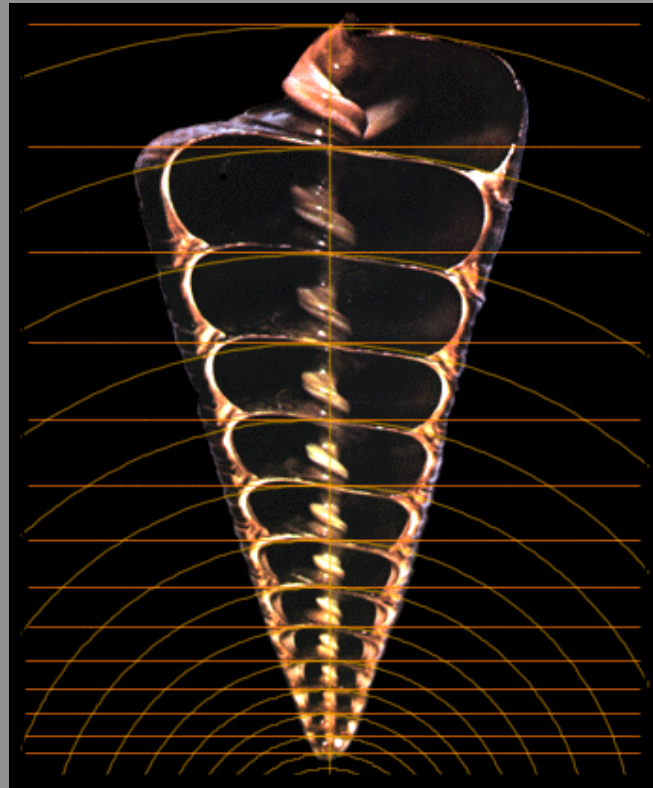
Vertical Sections, Connections, Panels

A 'detail' is a big view of a small, special, condition.

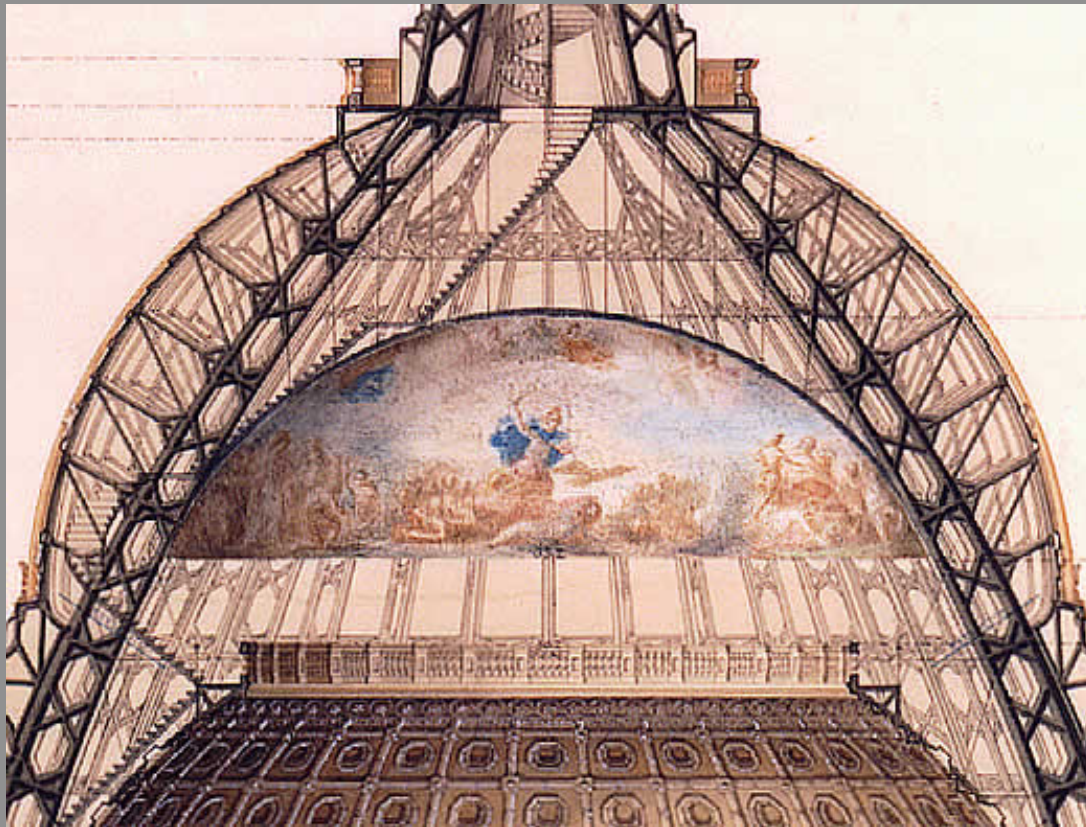
# Vertical Sections



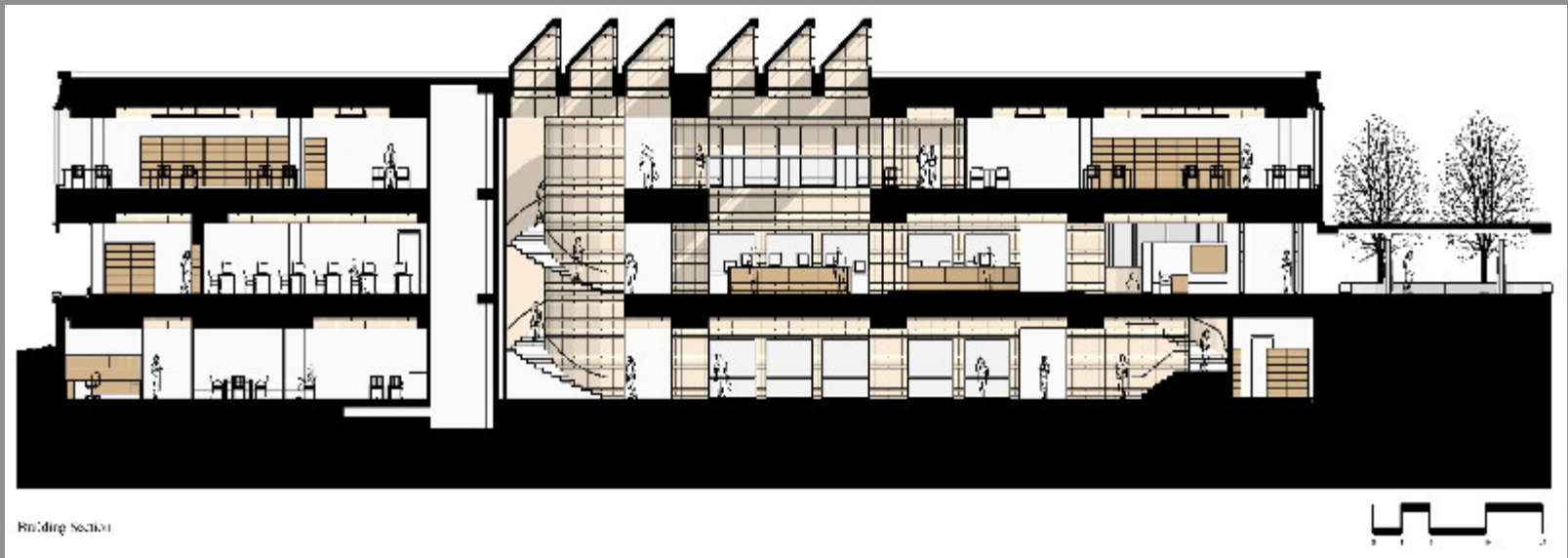
This is a 'vertical section' through a sea shell



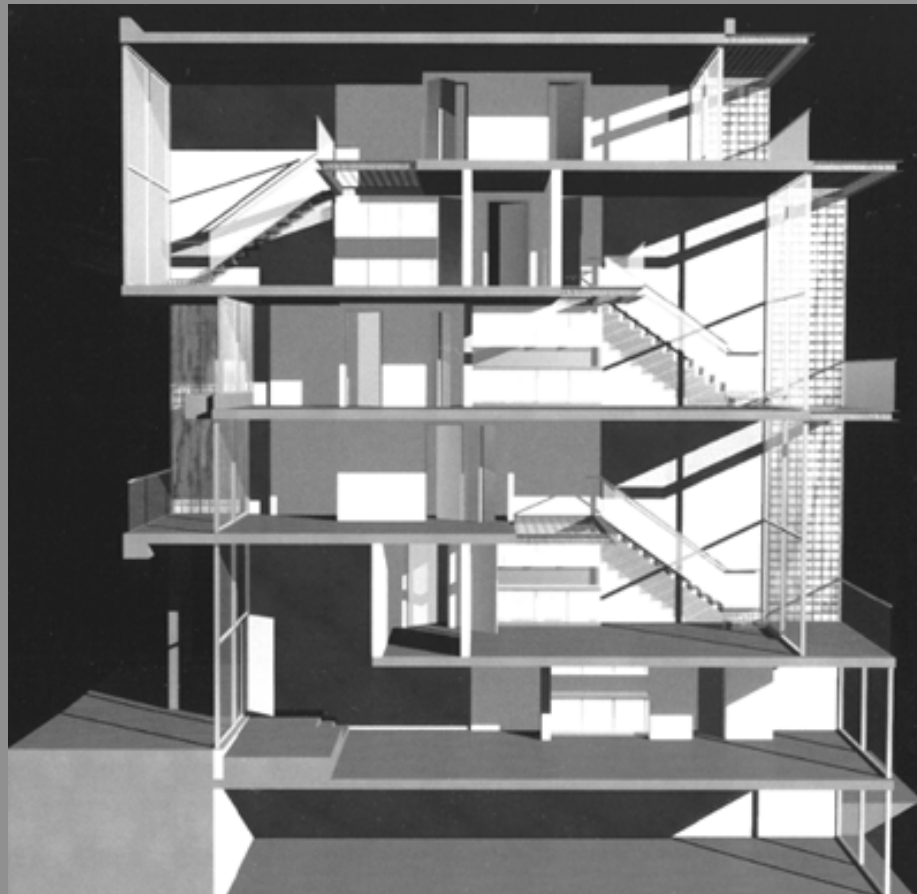
This is a vertical section through a building dome.



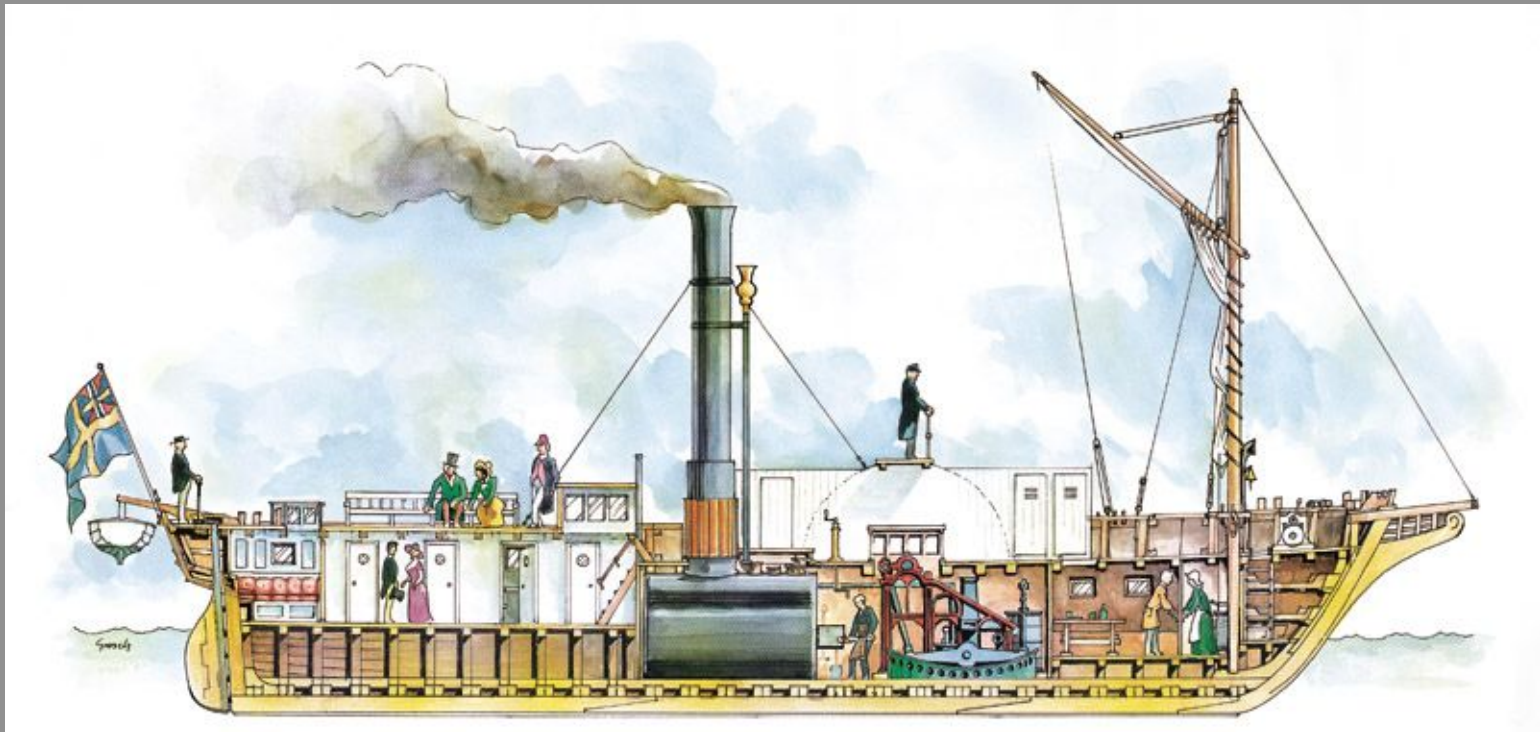
This is a vertical section through a three story building.



This is a vertical section through a multi-story building that also shows the 'elevations' of the surfaces beyond the section cut. This is called a 'section-elevation' image.

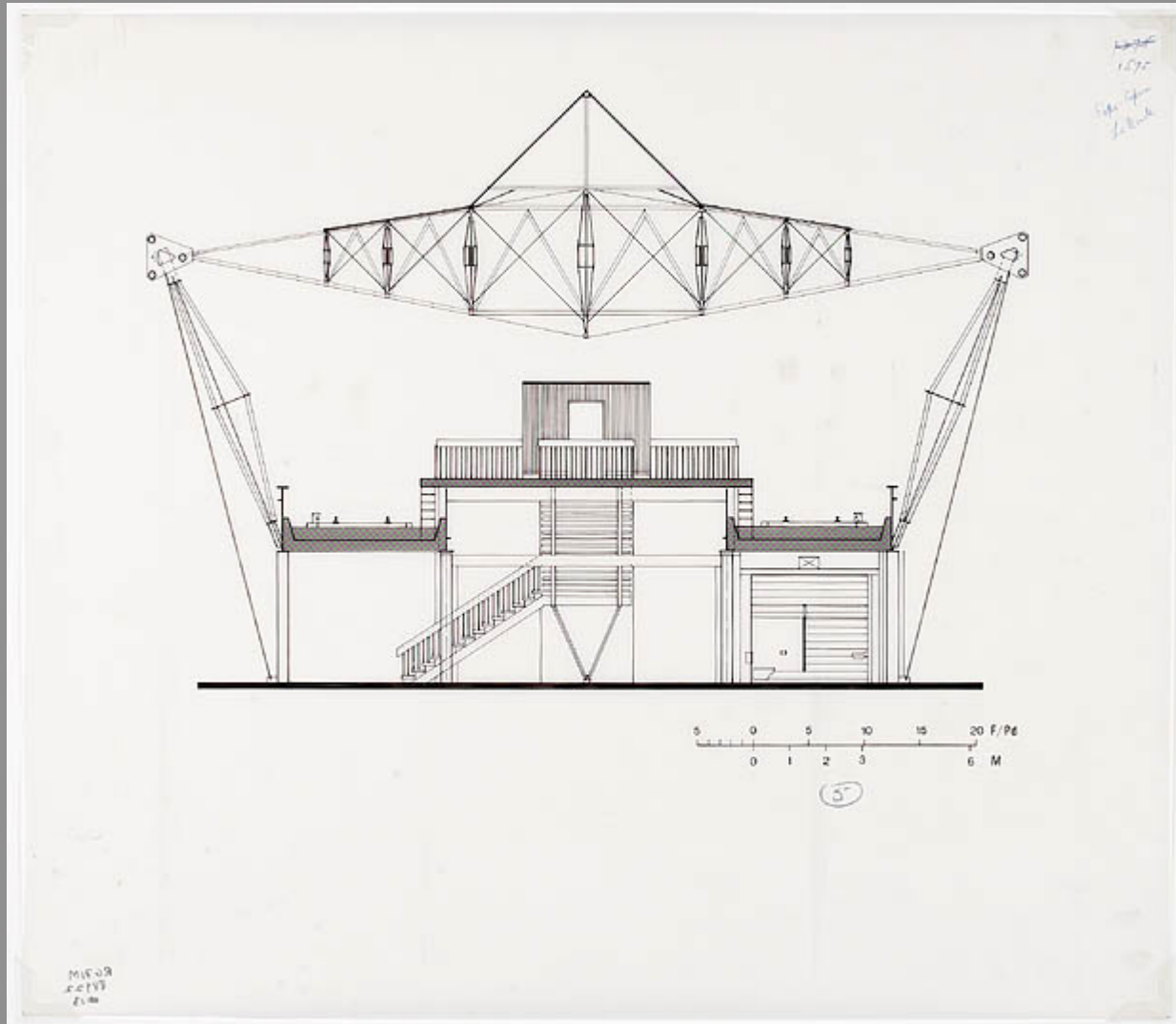


This is a vertical section through a boat/ship.



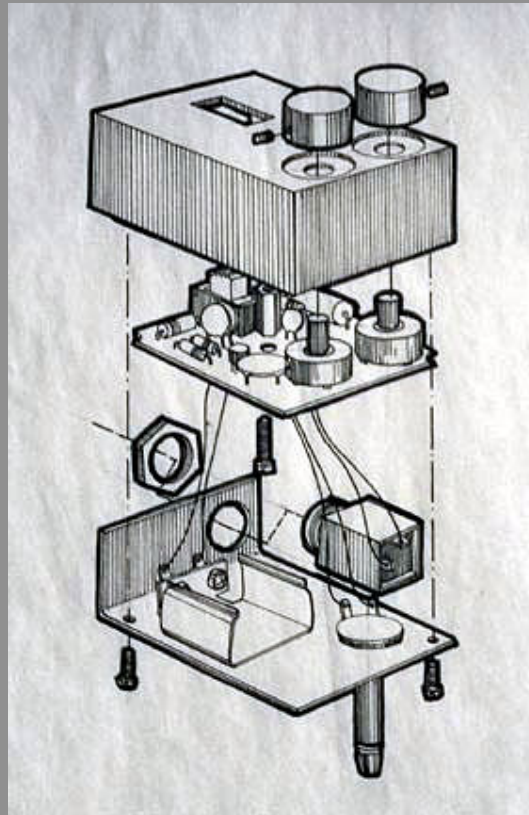


This is a vertical section through some sort of pavilion structure.

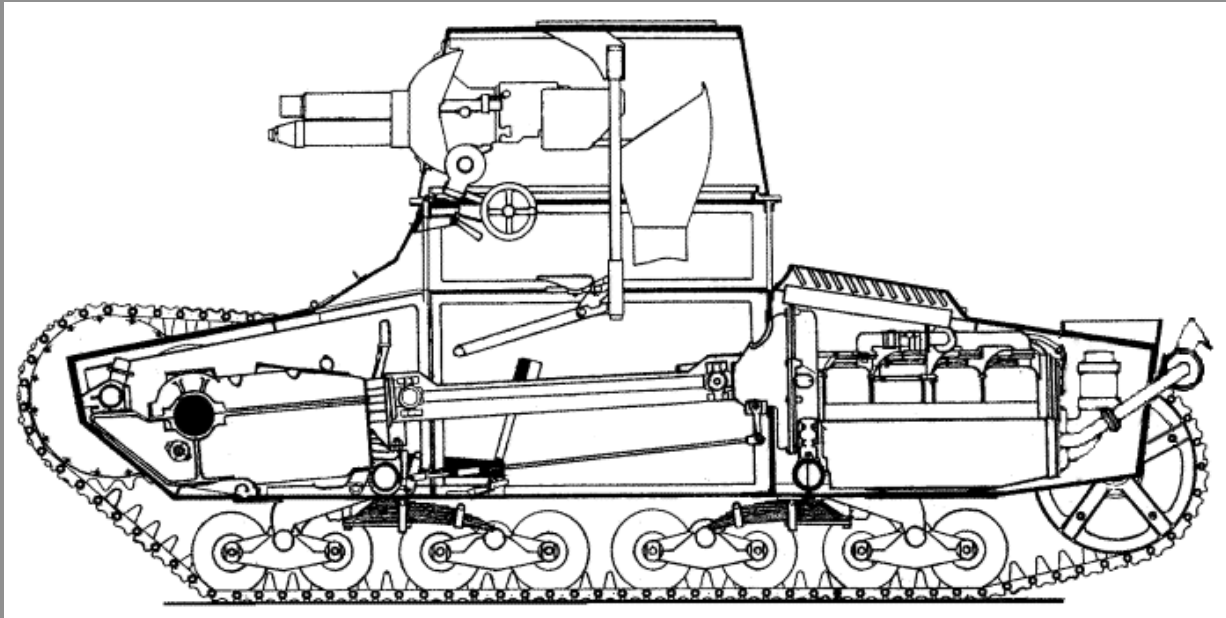




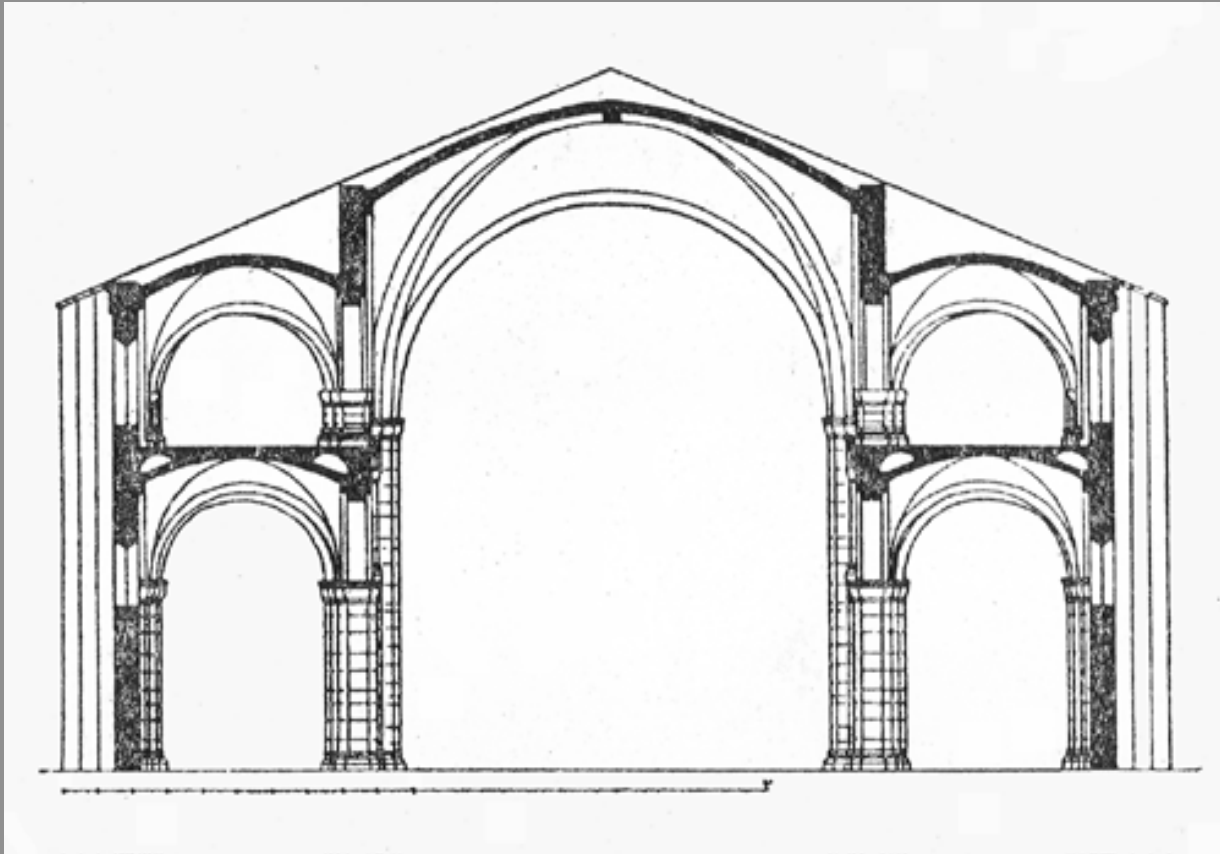
This is an 'exploded axonometric.'



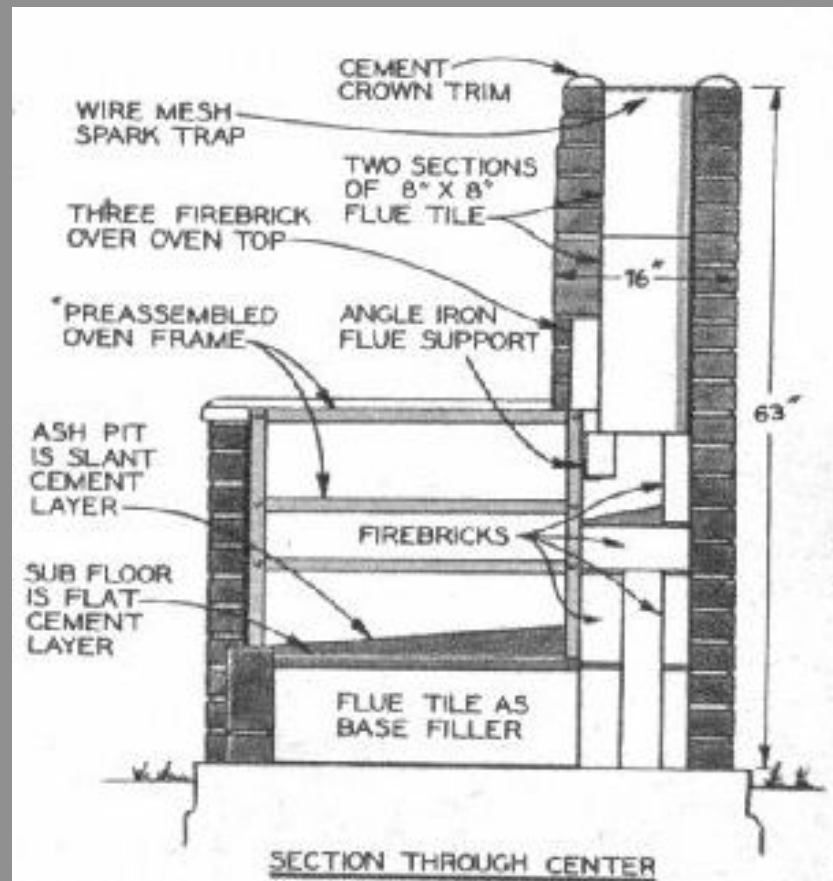
This is a vertical section through a World War I vintage tank.



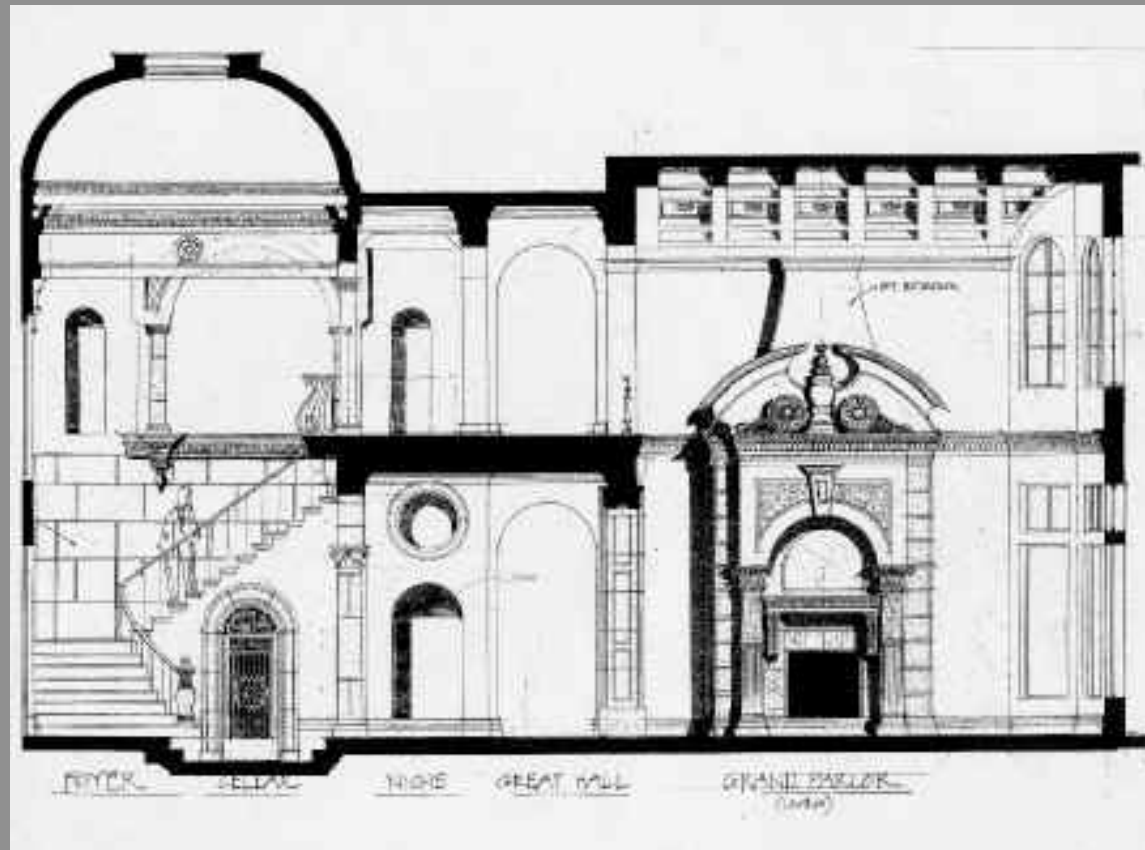
Vertical section through a Gothic structure.



Vertical section, with notes describing materials and functions, through an outdoor bbq.



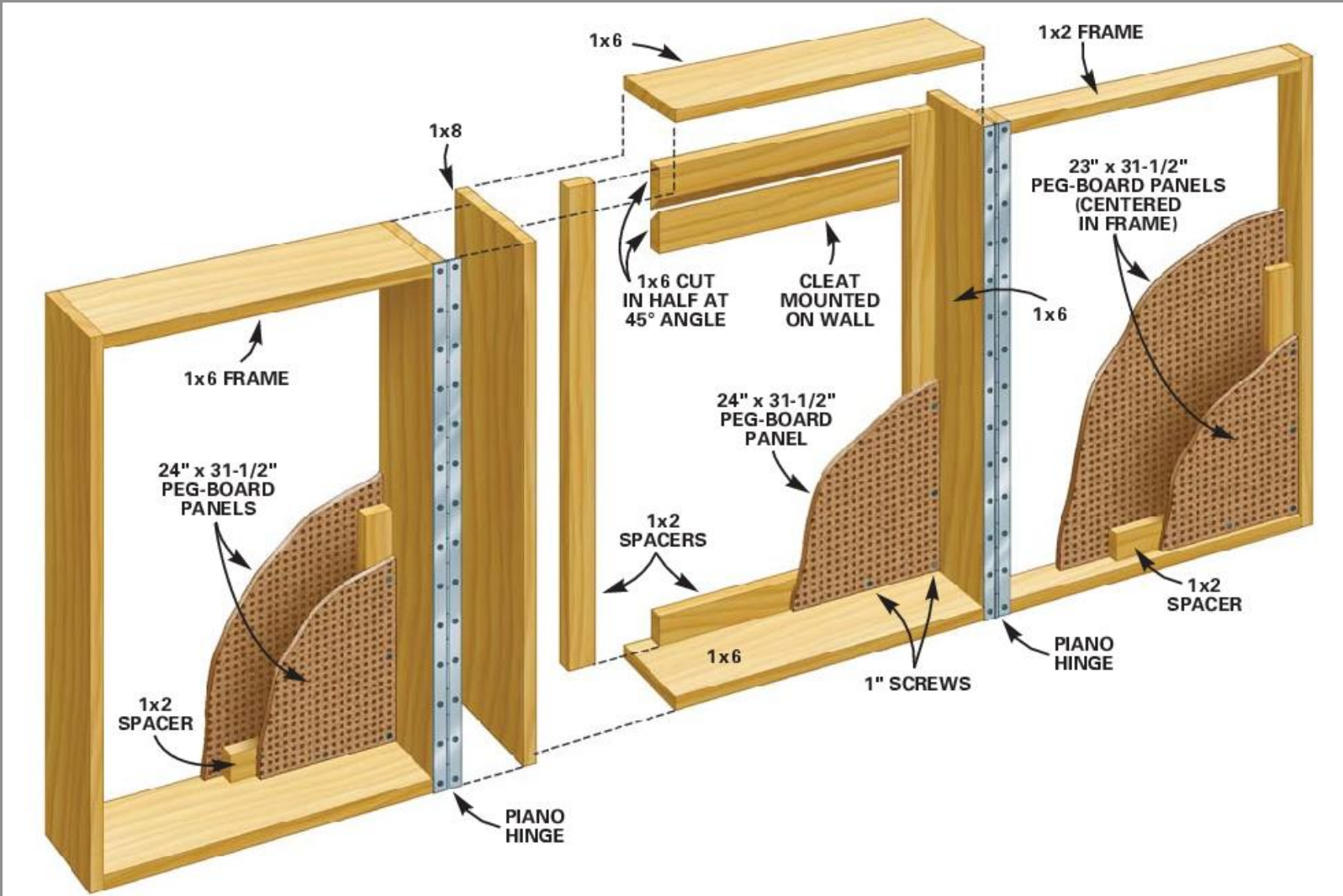
Vertical section through an 18<sup>th</sup> century building.



Cut-away and exploded axonometric images.



# Construction explanation for a cabinet with dimensions, fasteners, and materials indicated.

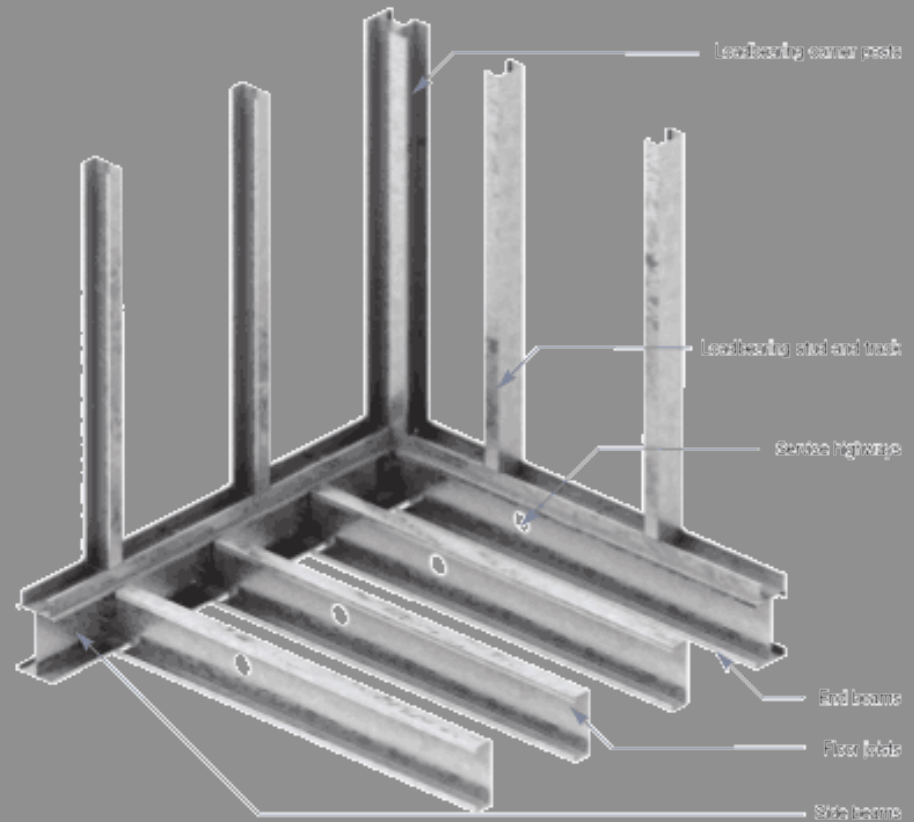
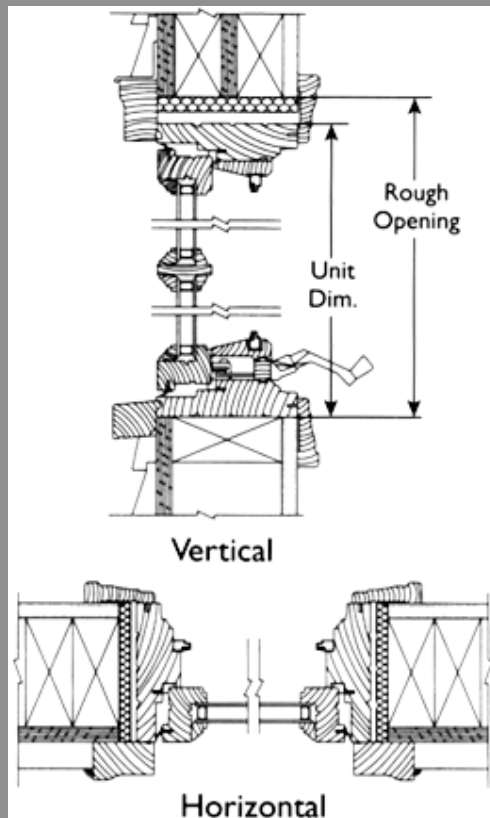




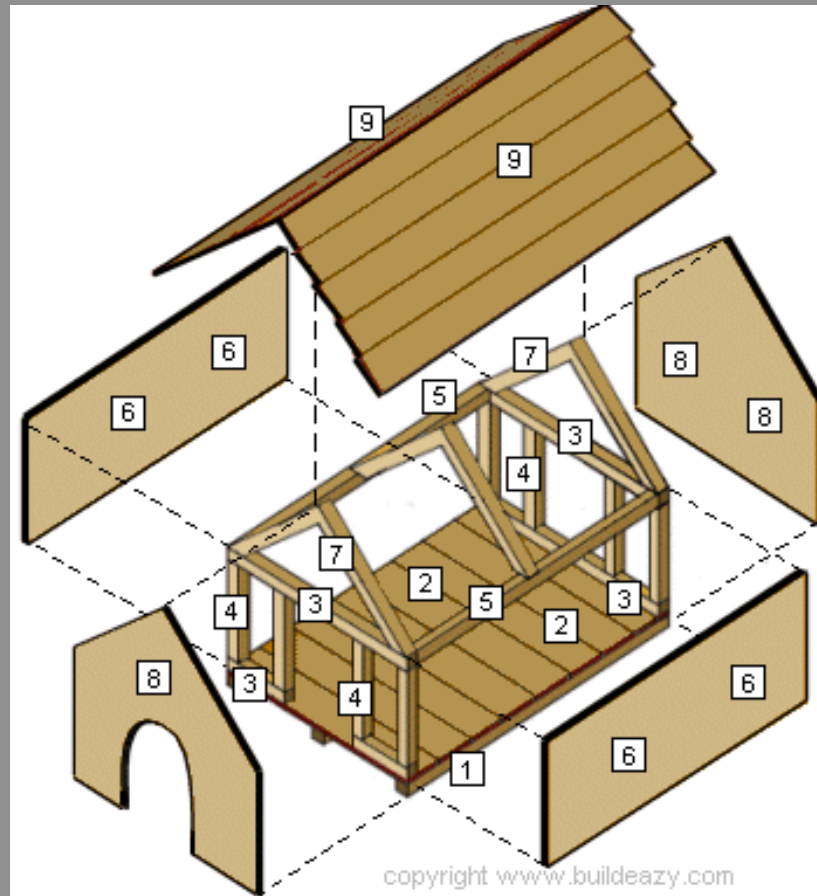
Wood cabinet with 'dovetail' joinery visually expressed; this is a 'detail.'



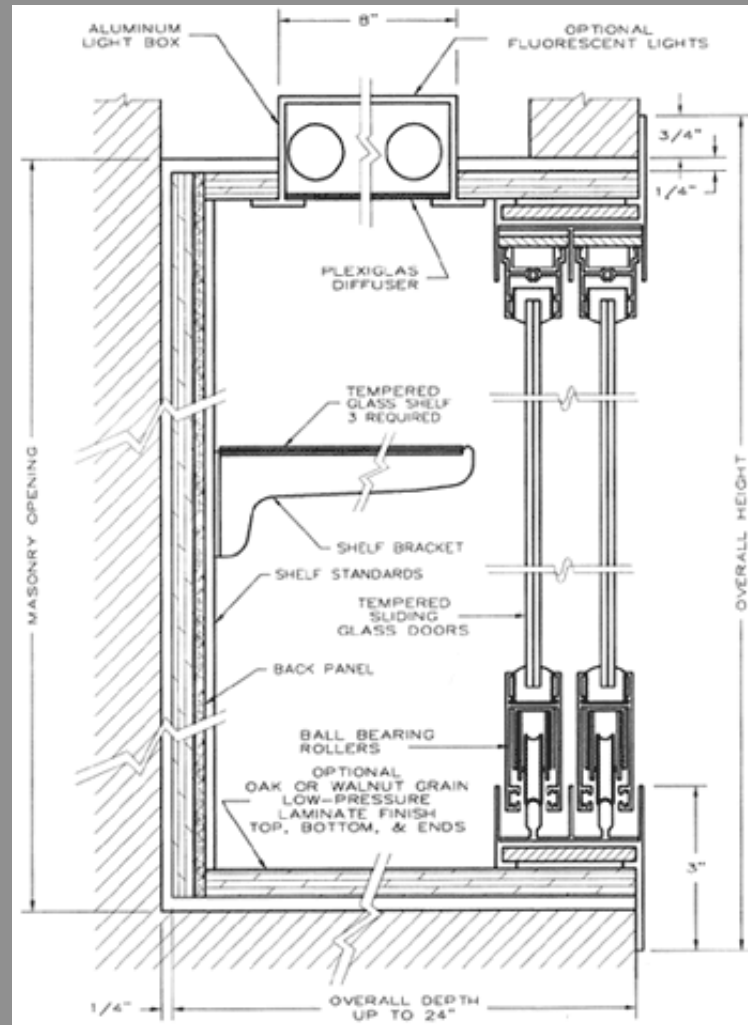
Left: a vertical section through a wood window. Right, steel framing layout shown in axonometric.



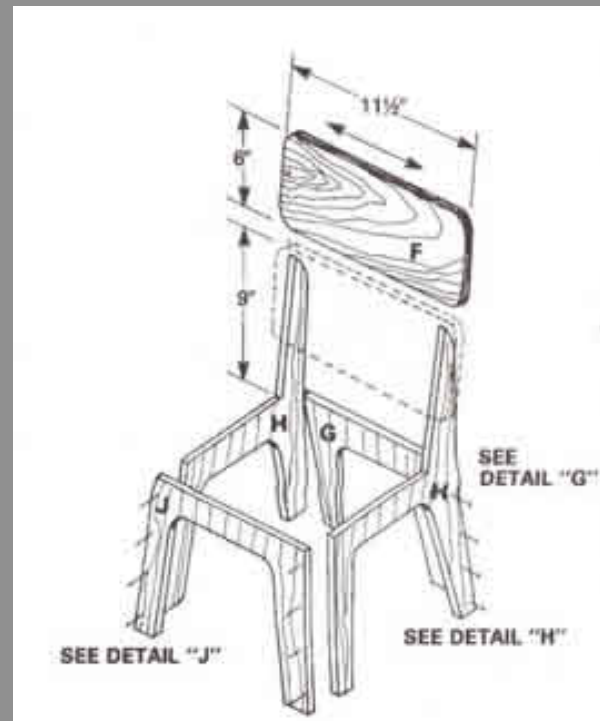
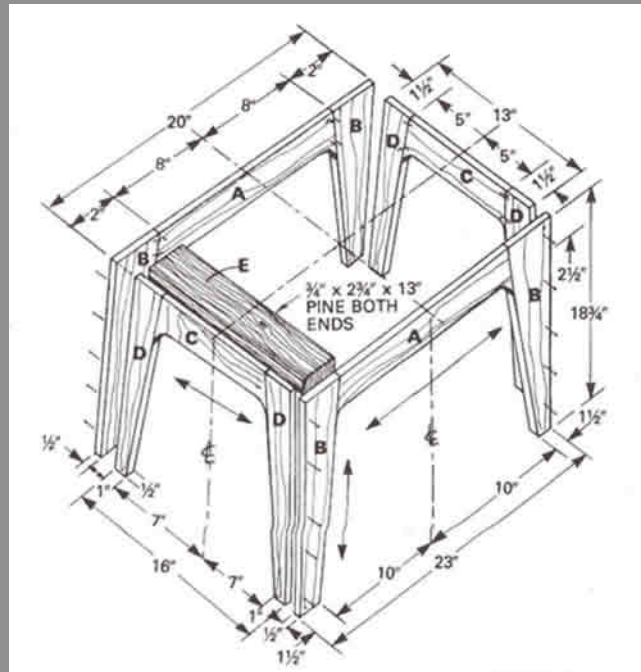
# Exploded axonometric of a dog house.



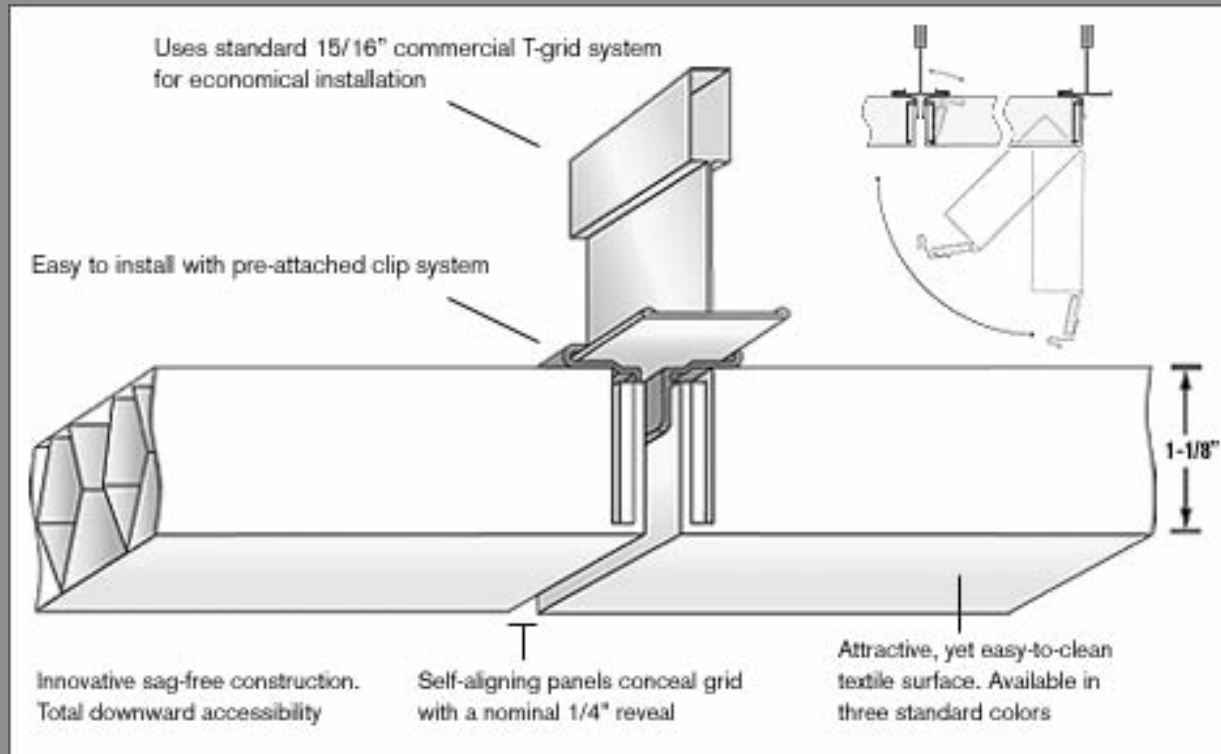
# Vertical section through a cabinet with lighting at the top, sliding glass doors, and shelf bracket.

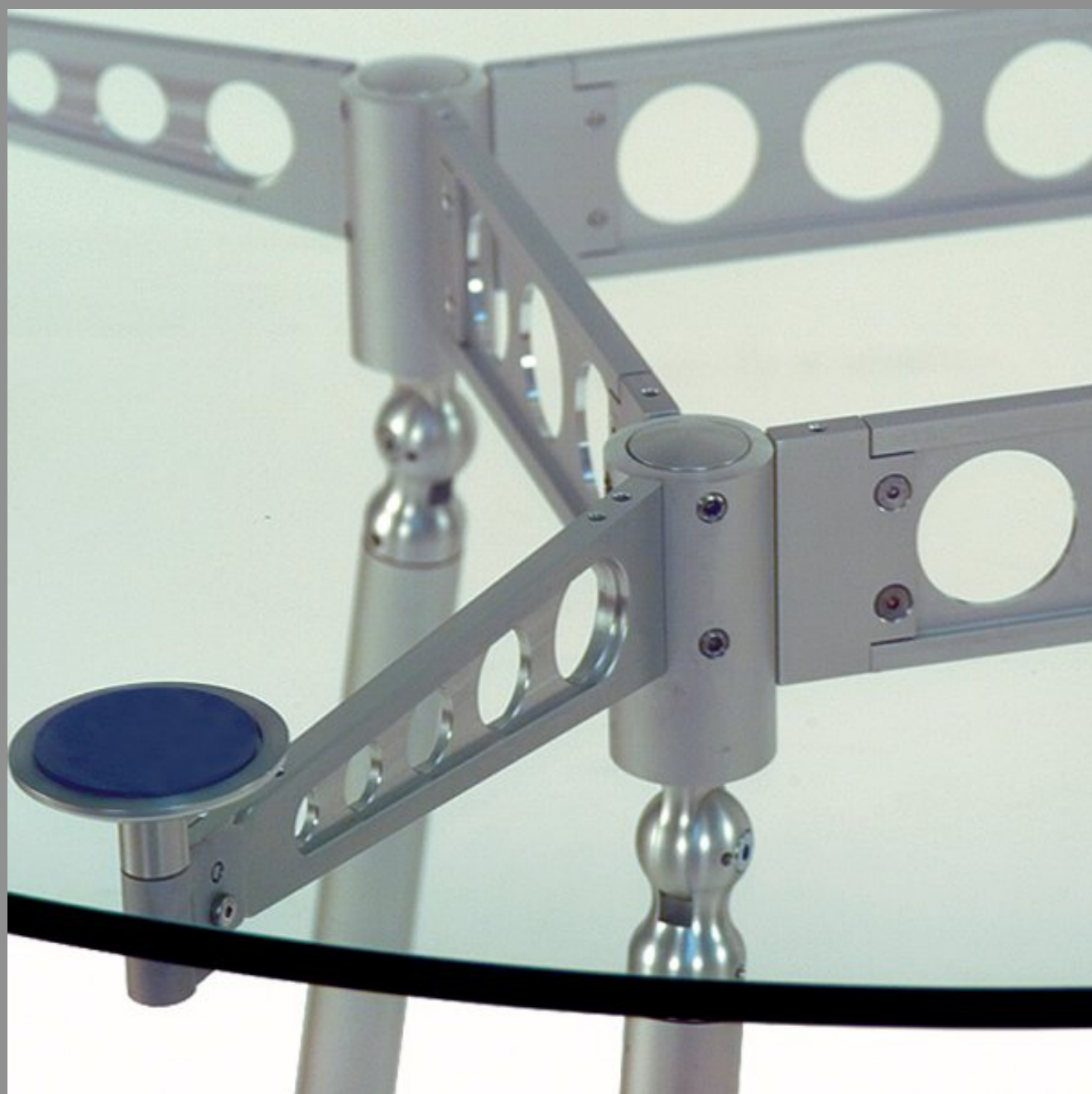


Axonometric detailed diagram showing how to construct these small wood pieces of furniture.



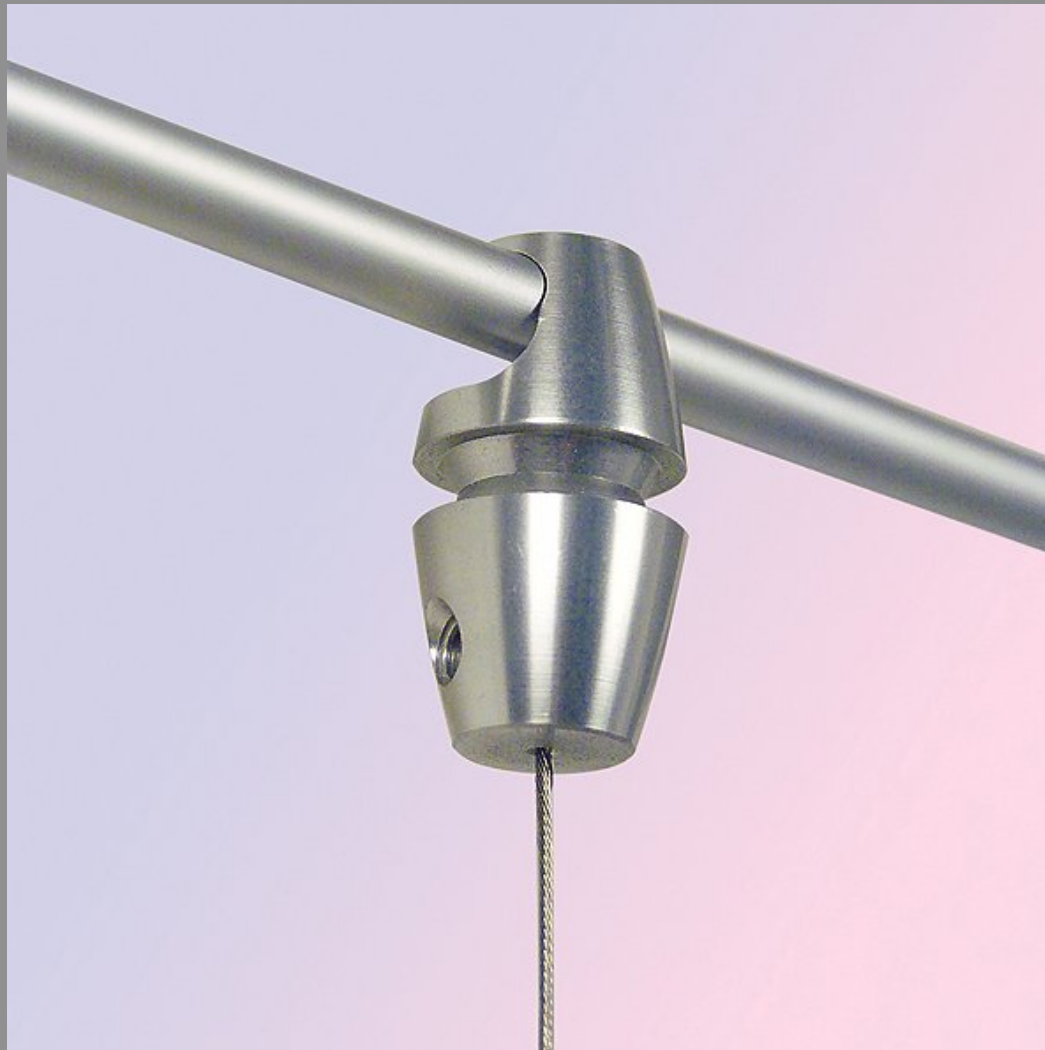
# A classic detail of a suspended ceiling system.

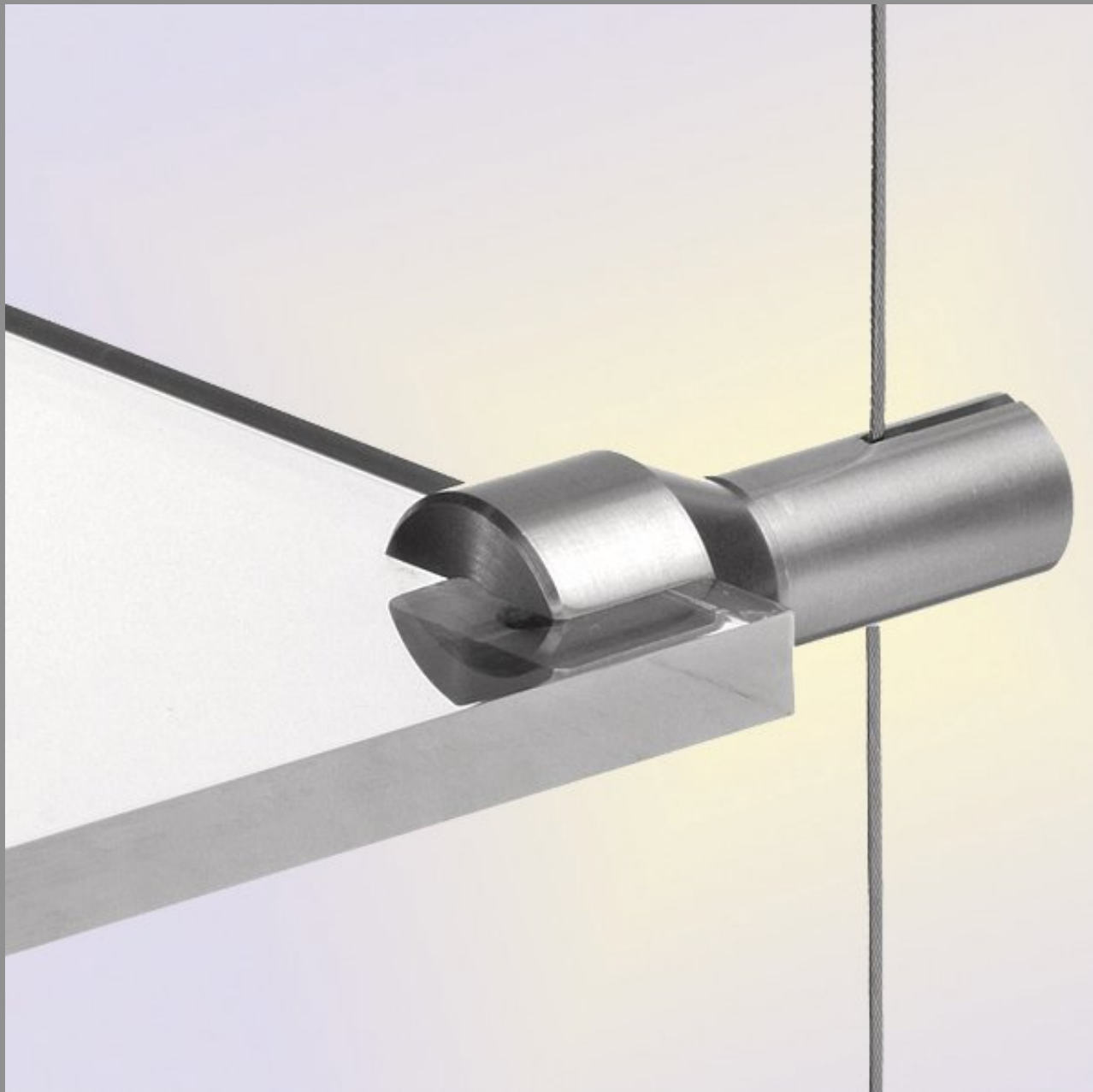
















In this and the previous images, it is the quality of 'detail' that makes the design of the piece interesting.





This is a handrail that the designer has embellished with a beautiful construction detail; the connection between the cut stone lower and the wood upper.









# A Gallery Interior



Where do you see 'detail' happening?









# Exhibition Design Schirn Kunsthalle, Frankfurt, Germany





# National Institute of Design, Ahmedabad, India.



# Google 'Exhibit Design'

## Exhibit Ideas

‘Exhibit Design’ is a whole sub category of interior design practice.



- [Eames 'Mathematica' Exhibit Video](#)